



MAG ELECTRIC Co.

Instrument current & voltage transformers
3.6kV up to 36 kV



Instrument voltage transformers, indoor, Cast-Resin Insulated

Technical data

Type		VMV12-F VMV12-1	VMV24-F VMV24-1	VMV36-F VMV36-1
Highest voltage for equipment	kV	12	24	36
Power frequency withstand test voltage, 1 minute	kV	28	50	70
Lightning impulse test voltage (1.2/50 μ s full wave)	kV	75	125	170
Rated frequency	Hz	50/60	50/60	50/60
Max. rated primary voltage	kV	$12/\sqrt{3}$	$24/\sqrt{3}$	$36/\sqrt{3}$
Secondary thermal limit current for measuring winding	A	7	7	7
Rated voltage factor /8h		1.9	1.9	1.9
Secondary thermal limit current for Earth – fault winding	A	4	4	4
Secondary Voltage	V	$100/\sqrt{3}$; $110/\sqrt{3}$; $220/\sqrt{3}$		
Max number of cores		3	3	3
Accuracy class measuring / protection		0.2-0.5-1 /3P -6P		
Rated output		15-100 VA		

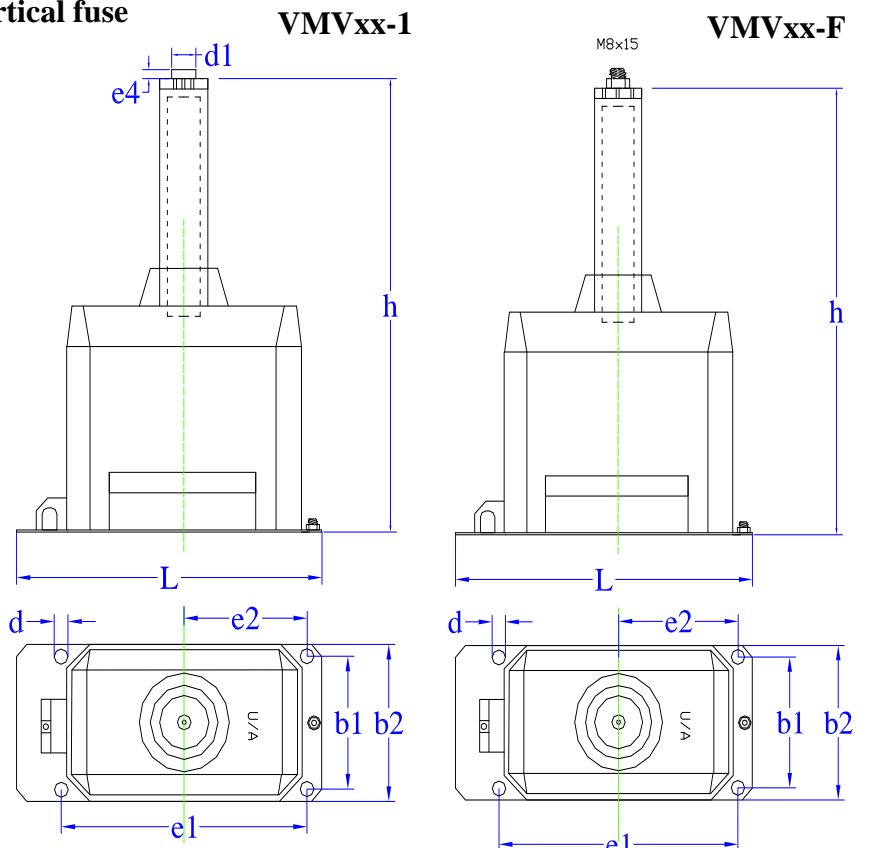
On Request:

- Secondary change over provides dual primary rated voltage for instance (20000-11000/100V).
- Winding for earth–fault detection or open-delta protection ($100/3$ V or $110/3$ V)

VMVxx-F Series : fixed type with vertical fuse

VMVxx-1 Series : drawable type with vertical fuse

Type	VMV12-F VMV12-1	VMV24-F VMV24-1	VMV36-F VMV36-1
e1	270	280	300
e2	135	140	150
e3	-	-	-
e4	30	30	30
L	342	362	395
b1	125	148	190
b2	148	178	220
h	500	610	660
d	12	14	14
d1	45	45	45



Dimensions in mm