



**MAG ELECTRIC Co.**

Instrument current & voltage transformers  
3.6kV up to 36 kV



**Instrument voltage transformers, indoor, Cast-Resin Insulated**

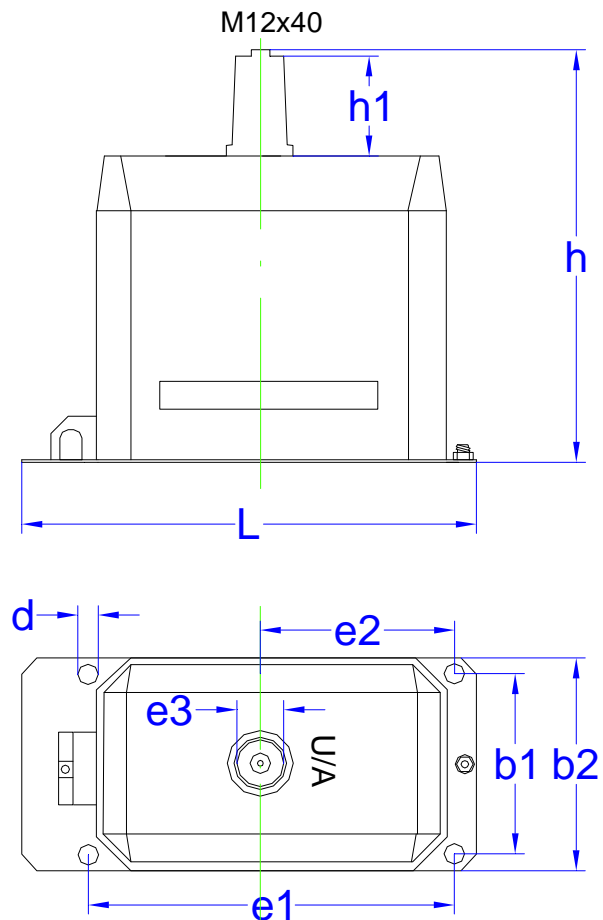
**Technical data**

| Type  |    | VMI12-1                                    | VMI24-1       | VMI36-1       |
|---|----|--|---------------|---------------|
| Highest voltage for equipment                             | kV | 12   | 24            | 36            |
| Power frequency withstand test voltage, 1 minute          | kV | 28   | 50            | 70            |
| Lightning impulse test voltage (1.2/50 $\mu$ s full wave) | kV | 75   | 125           | 170           |
| Rated frequency   | Hz | 50/60                                      | 50/60         | 50/60         |
| Max. rated primary voltage                                | kV | $12/\sqrt{3}$                              | $24/\sqrt{3}$ | $36/\sqrt{3}$ |
| Secondary thermal limit current for measuring winding     | A  | 7  | 7             | 7             |
| Rated voltage factor /8h                                  |    | 1.9  | 1.9           | 1.9           |
| Secondary thermal limit current for Earth – fault winding | A  | 4  | 4             | 4             |
| Secondary Voltage   | V  | $100/\sqrt{3}; 110/\sqrt{3}; 220/\sqrt{3}$ |               |               |
| Max number of cores                                       |    | 3  | 3             | 3             |
| Accuracy class measuring / protection                     |    | 0.2-0.5-1 /3P -6P                          |               |               |
| Rated output  |    | 15-100 VA                                  |               |               |

**On Request:**

Secondary change over provides dual primary rated voltage for instance (20000-11000/100V).

| Type | VMI24-1 | VMI12-1 | VMI36-1 |
|------|---------|---------|---------|
| e1   | 280     | 300     |         |
| e2   | 140     | 150     |         |
| e3   | 46      | 46      |         |
| e4   | -       | -       |         |
| L    | 362     | 395     |         |
| b1   | 148     | 190     |         |
| b2   | 178     | 220     |         |
| h    | 342     | 390     |         |
| h1   | 102     | 102     |         |
| d    | 14      | 14      |         |
| d1   | -       | -       |         |
| d2   | -       | -       |         |



**Dimensions in mm**