



MAG ELECTRIC Co.

Instrument current & voltage transformers
3.6kV up to 36 kV



Instrument voltage transformers, indoor, Cast-Resin Insulated

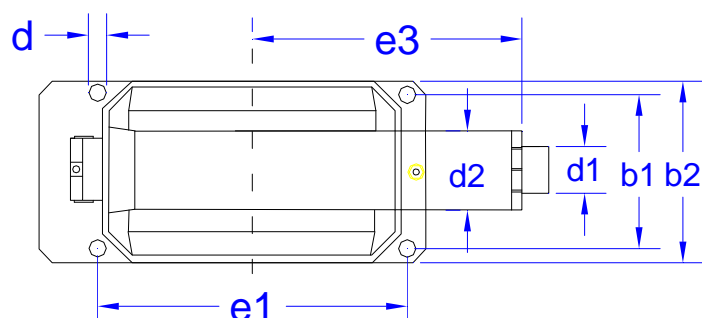
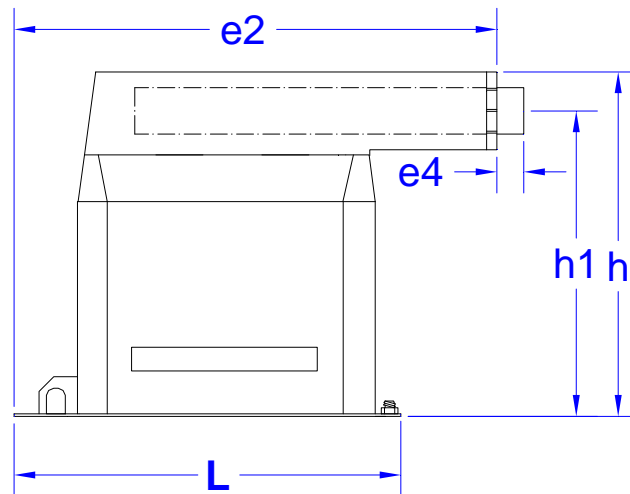
Technical data

Type		VMF12-1	VMF24-1	VMF36-1
Highest voltage for equipment	kV	12	24	36
Power frequency withstand test voltage, 1 minute	kV	28	50	70
Lightning impulse test voltage (1.2/50 μ s full wave)	kV	75	125	170
Rated frequency	Hz	50/60	50/60	50/60
Max. rated primary voltage	kV	$12/\sqrt{3}$	$24/\sqrt{3}$	$36/\sqrt{3}$
Secondary thermal limit current for measuring winding	A	7	7	7
Rated voltage factor /8h		1.9	1.9	1.9
Secondary thermal limit current for Earth – fault winding	A	4	4	4
Secondary Voltage	V	$100/\sqrt{3}; 110/\sqrt{3}; 220/\sqrt{3}$		
Max number of cores		3	3	3
Accuracy class measuring / protection		0.2-0.5-1 /3P -6P		
Rated output		15-100 VA		

On Request:

Secondary change over provides dual primary rated voltage for instance (20000-11000/100V).

Type	VMF12-1	VMF24-1	VMF36-1
e1	270	280	300
e2	460	480	705
e3	270	280	500
e4	30	30	30
L	342	362	395
b1	125	148	190
b2	148	178	220
h	280	340	435
h1	240	300	390
d	11	14	14
d1	45	45	45
d2	75	75	90



Dimensions in mm