



MAG ELECTRIC Co.

Instrument current & voltage transformers
3.6kV up to 36 kV



**Instrument current
Transformers, indoor,
Cast-Resin Insulated**

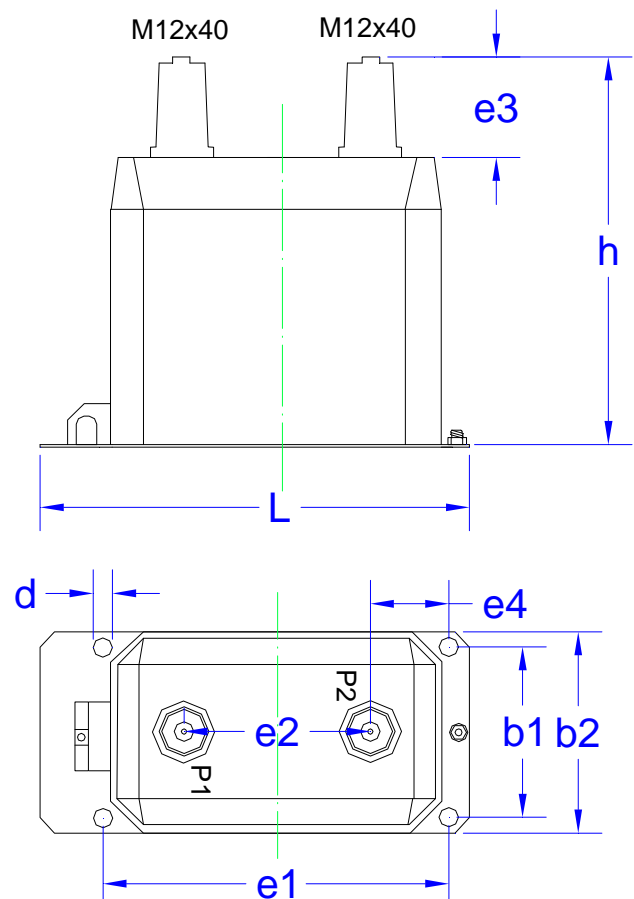
Technical data

Type	AMI24	
Highest voltage for equipment	kV	24
Power frequency withstand test voltage, 1 minute	kV	50
Lightning impulse test voltage (1.2/50 μ s full wave)	kV	125
Rated frequency	Hz	50/60
Rated primary current	A	5-400
Secondary current	A	5 or 1
Max. rated continuous thermal current $\times I_n$	A	1.2
Rated short time thermal current I_{th} in 1 Sec. $\text{Min}(100 \times I_n)$	Max.kA	20
Rated dynamic current $I_{dyn} = 2.5 \times I_{th}$	Max.kA	50
Max. number of cores		2
Accuracy class measuring / protection		0.2-0.5-1/5P -10P
Rated output		1-30 VA
Instrument security factor (measuring; FS5,FS10)/ Accuracy limit factor (protection; P5-P30)		

On Request:

Constructions with capacitive layer

★ Change over: The change over can only be made from the secondary side.
(Secondary tapping; for instance 1000-800/5A)



Type	AMI24
e1	280
e2	120
e3	102
e4	80
L	362
b1	148
b2	178
h	347
d	14

Dimensions in mm