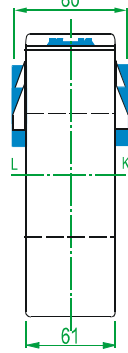
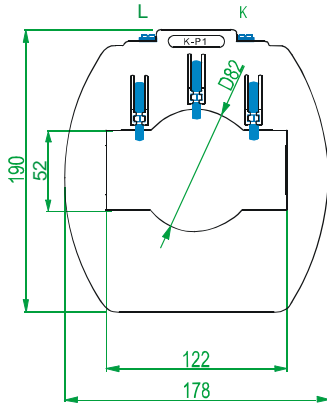


**Current Transformer**  
**Window – Type**  
**0.72/ 3kV; 50 – 60 Hz**

MAG ELECTRIC Co.



**Type AL5**



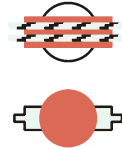
**Window Sizes**

**Bars**

3 × (120 × 10)

Round conductors up to 82 Ø

Accessories on request:  
 Secondary terminal cover



Secondary Primary A	1A,5A	Class 1	Class 3
	Class 0.5 Max(VA)	Max(VA)	Max(VA)
1500	20	25	40
2000	25	30	45
2500	30	35	50
3000	35	40	52.5
4000	40	45	55

Other VA-Ratings, special ratios and CT's class 0.2 on request

Dimensions in mm

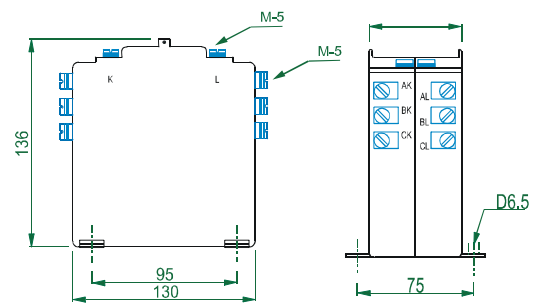
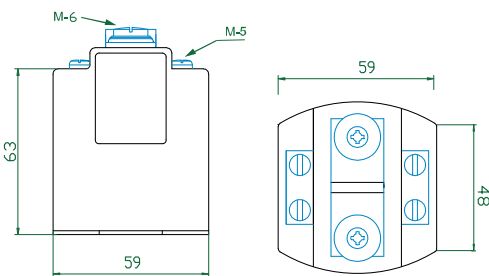
**Type ALZ**

Normal or Summation Current  
 Transformer

With screw – type terminal  
 for cable socket



**Type ALS**



**(Type ALZ) Technical Data**

$I_N$ (A)	Primary	Type	Secondary	Current	Class	Output	VA
1 – 40	ALZ	Normal	1A,5A	0.5-3		1-20 VA	

Supplied with mounting feet

Dimensions in mm

**(Type ALS) Technical Data**

$I_N$ (A)	Primary	Type	Secondary	Current	Class	Output	VA
2 to 6	ALS	SUM	1A,5A	0.5-3		1-45 VA	

**! It is recommended to select the minimum required VA, otherwise the CT's security factor and price will increase.**