



MAG ELECTRIC Co.

Instrument current & voltage transformers
3.6kV up to 36 kV

**Instrument current
Transformers, indoor,
Cast-Resin Insulated**



Technical data

Type		AM36	AMN36	AMG36
Highest voltage for equipment	kV	36	36	36
Power frequency withstand test voltage, 1 minute	kV	70	70	70
Lightning impulse test voltage (1.2/50 μ s full wave)	kV	170	170	170
Rated frequency	Hz	50/60	50/60	50/60
Rated primary current	A	5-1500	5-1500	5-2000
Primary reconnection* 1:2	A	2 \times 600	2 \times 600	2 \times 600
Secondary current	A	5 or 1	5 or 1	5 or 1
Max. rated continuous thermal current $\times I_n$	A	1.2	1.2	1.2
Rated short time thermal current I_{th} in 1 sec. (100-1000) $\times I_n$	Max.kA	60	60	60
Rated dynamic current $I_{dyn} = 2.5 \times I_{th}$	Max.kA	120	120	120
Max. number of cores		3	3	3
Accuracy class measuring / protection		0.2-0.5-1/5P -10P		
Rated output (measuring / protection)		5-60VA/1-30 VA		
Instrument security factor (measuring; FS5, FS10)/ Accuracy limit factor (protection; P5-P30)				

On Request:

Constructions with capacitive layer

★ Change over: with multi-purpose transformers it is possible to work with several primary currents. In principle, the change over can be made from the primary as well as from the secondary side.

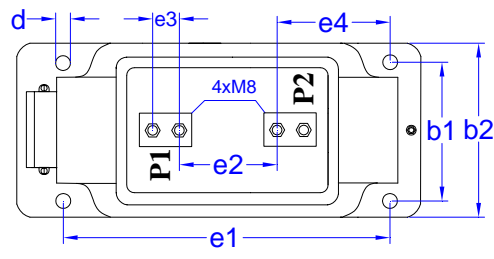
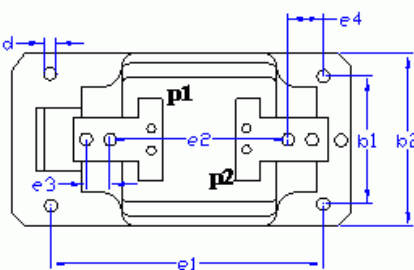
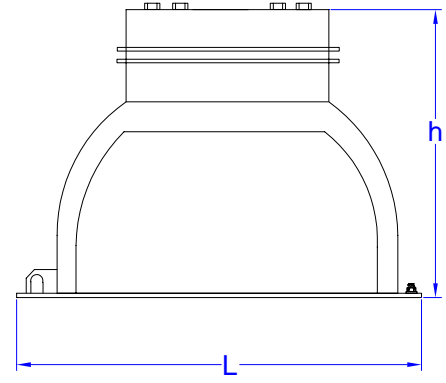
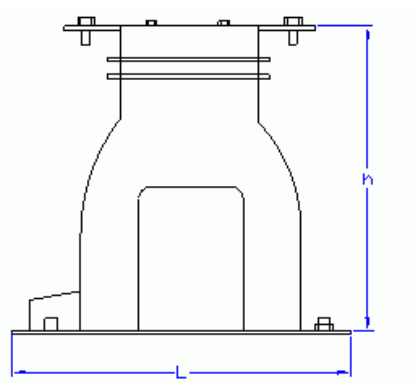
(Secondary tapping; for instance 800-1000/5A)

AM36

AMN36

Type	AM36	AMN36	AMG36
e1	295	340	450
e2	220	220	120
e3	32*	32*	32
e4	38	60	165
L	420	438	548
b1	220	190	190
b2	260	220	220
h	390	390	390
d	15	14	14

*For primary current under 400(A): e3 = 0



Dimensions in mm