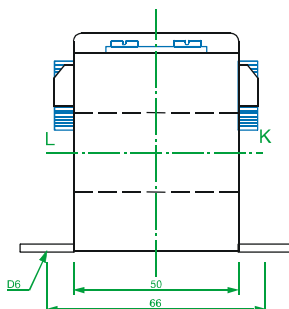
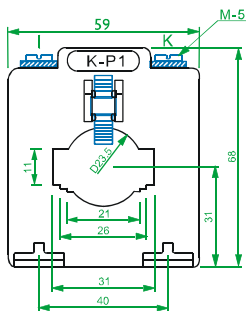




Type AL1



Window Sizes

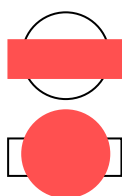
Bars

30 × 10 or
20 × 10

Round conductors up to 23 Ø

Accessories on request:
Secondary terminal cover
Mounting feet

Dimensions in mm

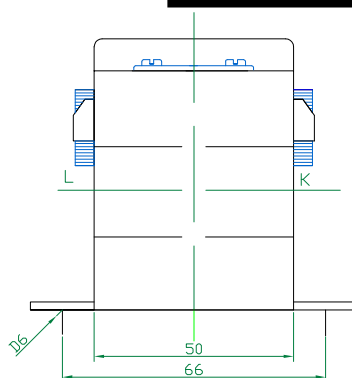
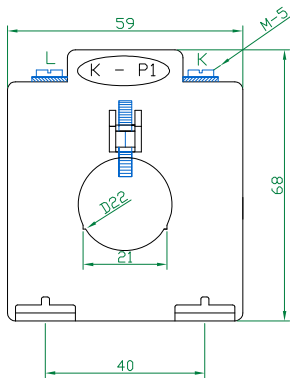


Secondary Primary A	1A,5A Class 0.5 Max(VA)	Class 1 Max(VA)	Class 3 Max(VA)
50 *	5	5	7.5
75 *	10	10	12.5
100	5	5	7.5
150	10	10	12.5
200	10	12.5	15
250	12.5	15	17.5
300	15	17.5	20
400	15	17.5	22.5
500	15	17.5	27.5
600	15	17.5	27.5

Other VA-Ratings, special ratios and CT's class 0.2 on request

★ Only for cable conductors with primary 2 turns-for VA ≥ 1.25(CL0.5,1) VA ≥ 2.5 (CL 3)

Type AL1N



Window Sizes

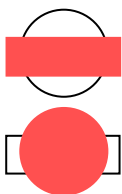
Bars

20 × 10

Round conductors up to 22 Ø

Accessories on request:
Secondary terminal cover
Mounting feet

Dimensions in mm



Secondary Primary A	1A,5A Class 0.5 Max(VA)	Class 1 Max(VA)	Class 3 Max(VA)
50 *	5	5	7.5
75 *	10	10	12.5
100	5	5	7.5
150	10	10	12.5
200	10	12.5	15
250	12.5	15	17.5
300	15	17.5	20

Other VA-Ratings, special ratios and CT's class 0.2 on request

★ Only for cable conductors with primary 2 turns-for VA ≥ 1.25(CL0.5,1) VA ≥ 2.5 (CL 3)

! It is recommended to select the minimum required VA, otherwise the CTs security factor and price will increase.